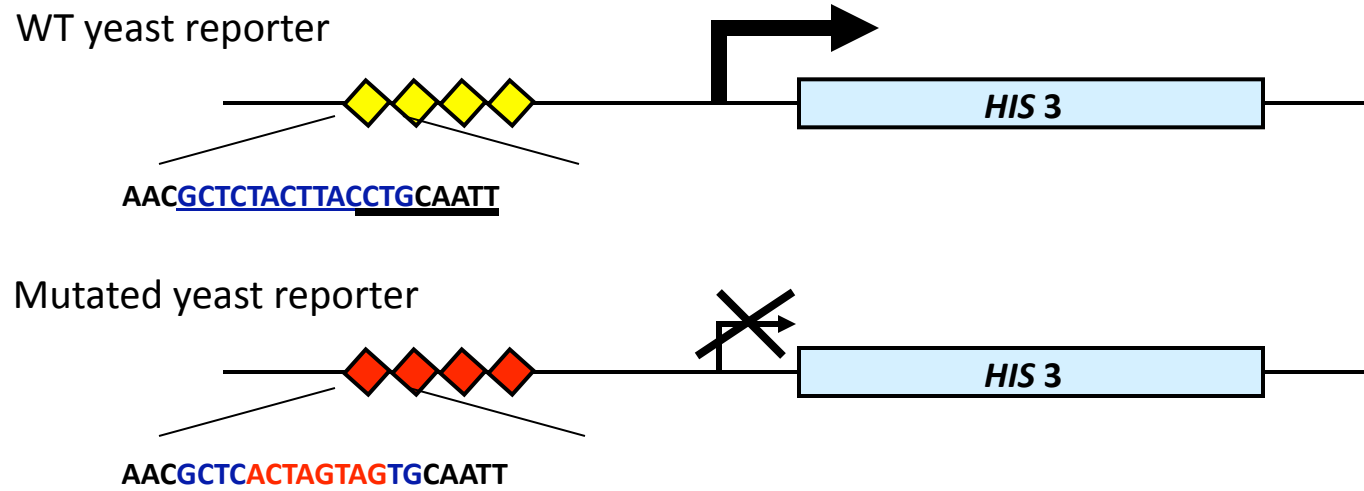


A



B

		Clone #	Gene	WT reporter			Mut reporter		
[3-AT]				0	10mM	45mM	0	10mM	45mM
	1,2,3,4,5,6,7,17,18	<i>kni</i>	$3.1 \times 10^3$	$1.6 \times 10^3$	$1.2 \times 10^3$	$3.0 \times 10^3$	$2 \times 10^3$	$0.3 \times 10^3$	
	8,10,18	<i>Zld</i>	$3.8 \times 10^3$	$1.5 \times 10^3$	$0.5 \times 10^3$	$3.0 \times 10^3$	0	0	