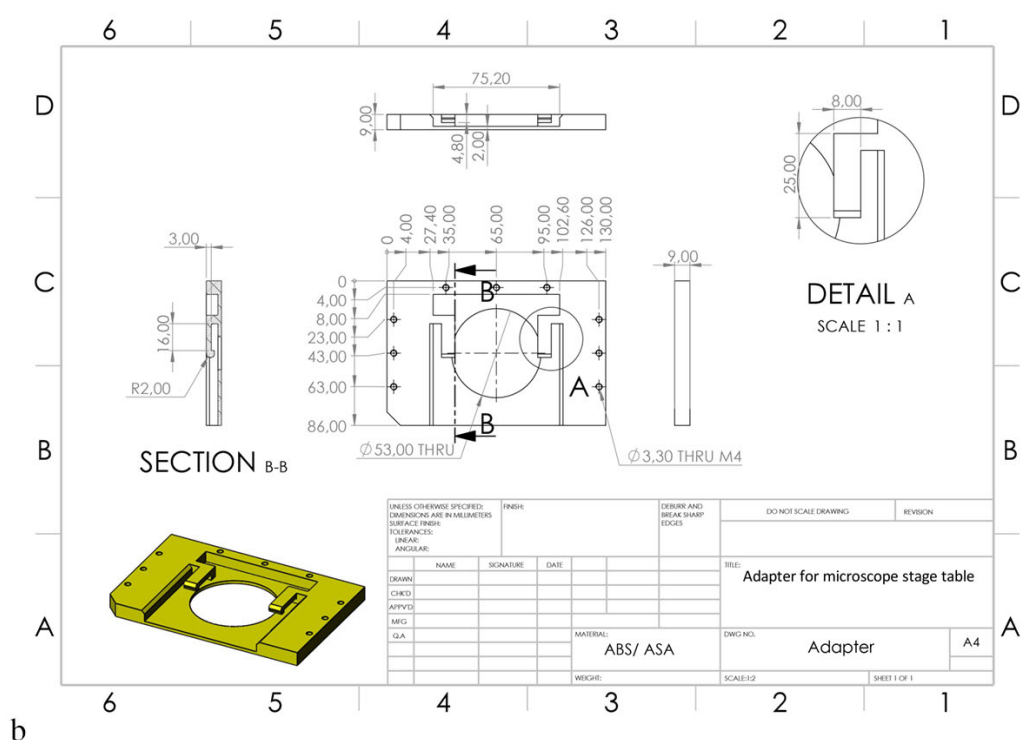
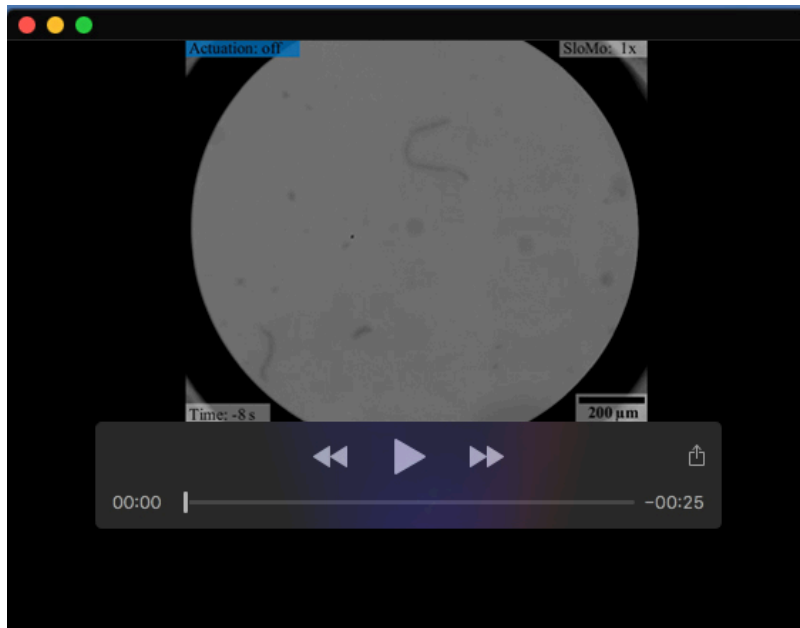


a

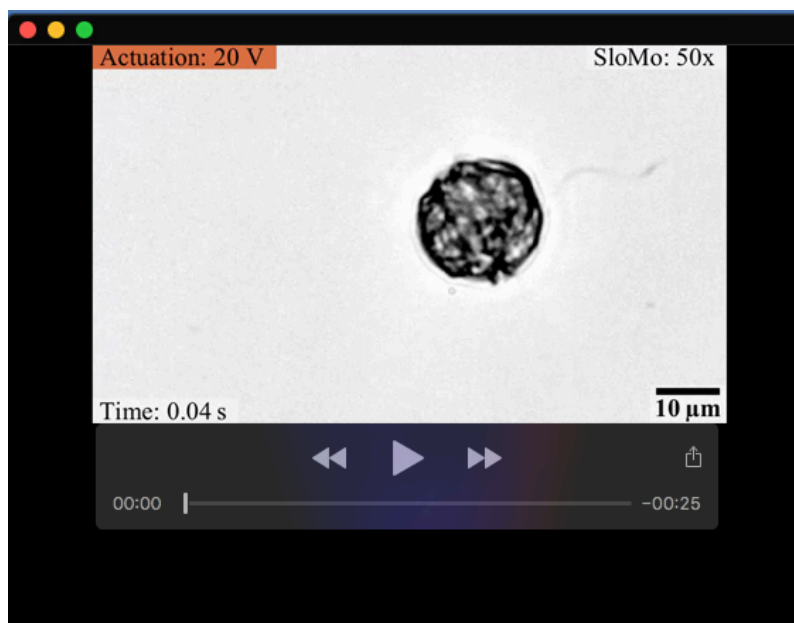


b

Fig. S1. Technical drawings of (a) the sample chamber holder and (b) the adapter for the microscope stage table. The two components were 3D printed in plastic.



Movie 1. The swimming motion of the dinoflagellate *Alexandrium minutum* observed with 10 x magnification.



Movie 2. The flagellar beat of the dinoflagellate *Alexandrium minutum* observed with 40 x magnification.



Movie 3. The periodic beat motion of the cilia in the membranellar band of the ciliate *Euplotes vannus* observed with 40 x magnification.